

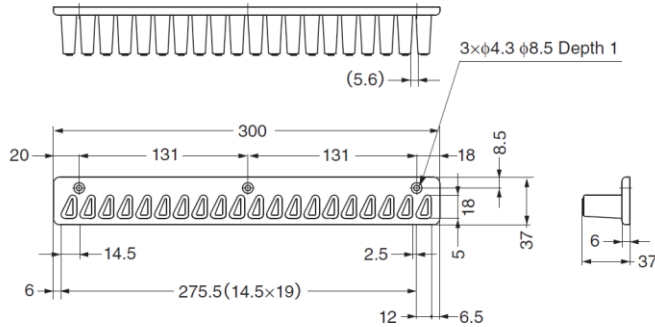
GMST-20 Tie Rack

Features

- 2 ways of holding possible depending on tie thickness

Parts Included

- Binding head tapping screw 4 × 14 (SUS)



Part Name	Material
Body	ABS
Stopper	Elastomer (TPE)

Part No.	Colour	Load Capacity	
GMST-20BL	Brown + Black	2.94 N	0.3 kg
GMST-20GR	Ivory + Grey		

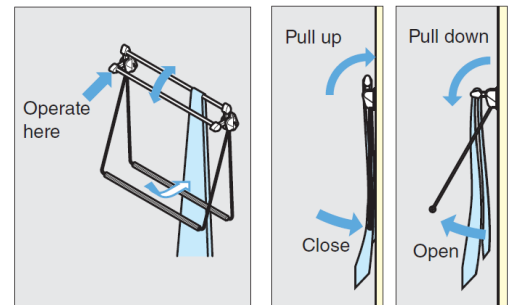
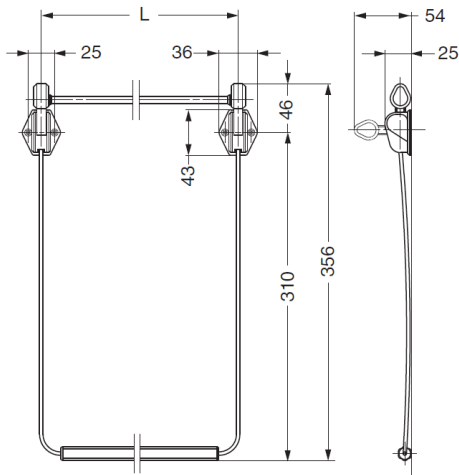
GTR Tie Rack

Features

- Holding bar keeps the ties tidy

Parts Included

- Round head wood screw 3.1 × 16



Part No.	Material	Colour / Finish	L
GTR-300	Polyamide (PA) & Polyacetal (POM) / Steel	Brown / Chrome	300
GTR-350			350
GTR-400			400